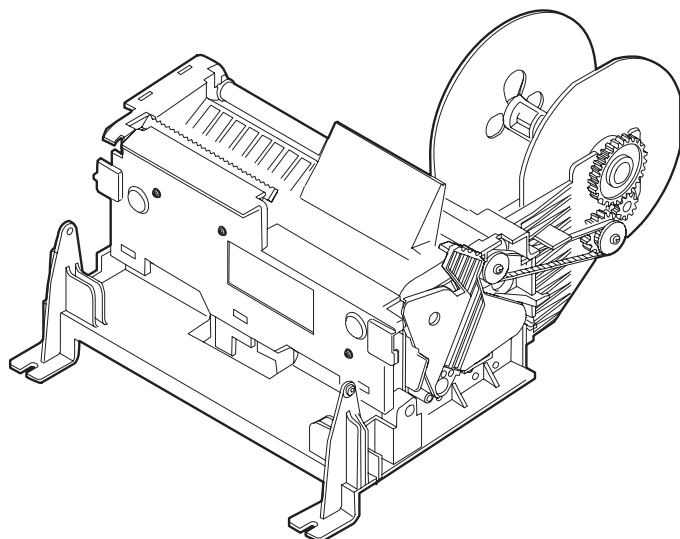


SHARP SERVICE MANUAL

CODE: 00ZPR58HMSM/E



THERMAL PRINTER

MODEL PR-58HM

CONTENTS

CHAPTER 1. SPECIFICATIONS	1
CHAPTER 2. OUTLINE OF DRIVING CIRCUIT	3
CHAPTER 3. HANDLING THE PRINTER	5
CHAPTER 4. MAINTENANCE	7
CHAPTER 5. TROUBLESHOOTING	8
CHAPTER 6. DISASSEMBLY AND ASSEMBLY	12
CHAPTER 7. PWB LAYOUT	21

PARTS GUIDE (Printer assembly: Ki-OB2009BHZZ)

APPLICATION MODEL : UP-700 ("U" & "A" version)

This is a “Table of Contents preview” for quality assurance

The full manual can be purchased from our store:

[https://the-checkout-tech.com/manuals/sharp/PR-58HM service manual.html](https://the-checkout-tech.com/manuals/sharp/PR-58HM%20service%20manual.html)

And our free Online Keysheet maker:

<https://the-checkout-tech.com/Cash-Register-Keysheet-Creator/>

[HTTPS://THE-CHECKOUT-TECH.COM](https://THE-CHECKOUT-TECH.COM)